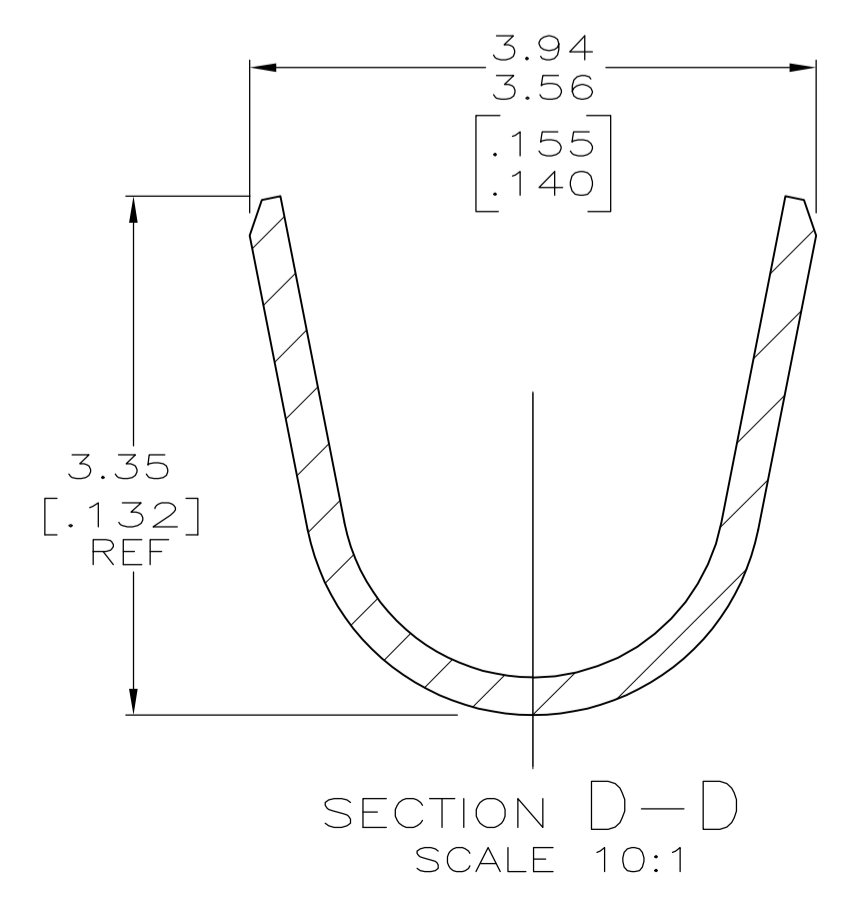
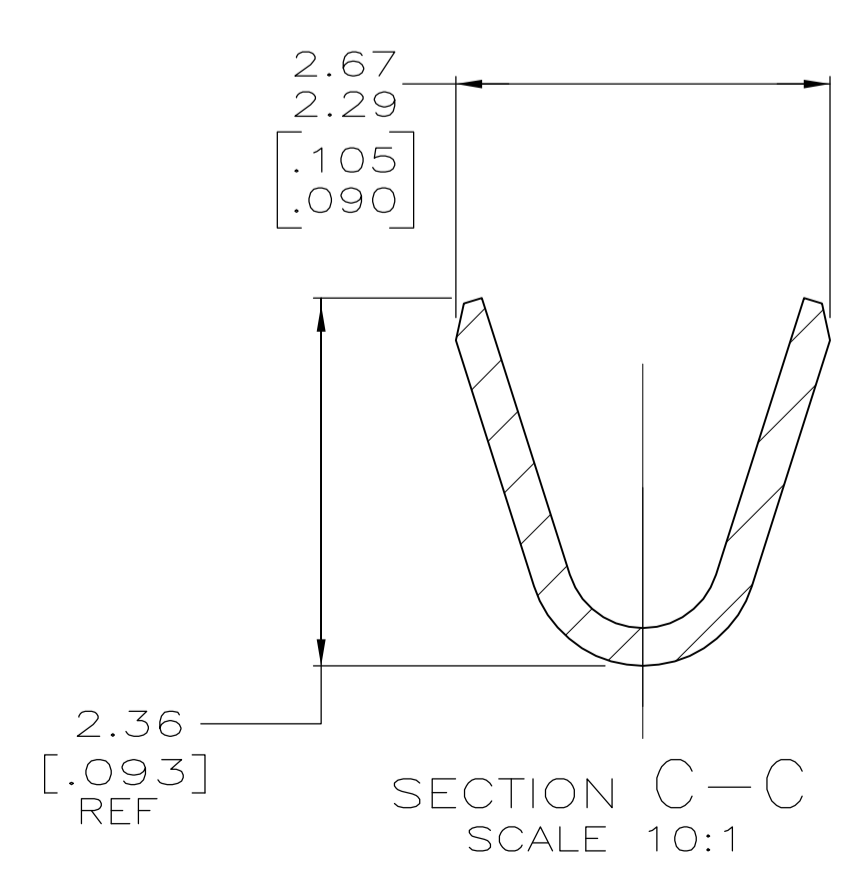
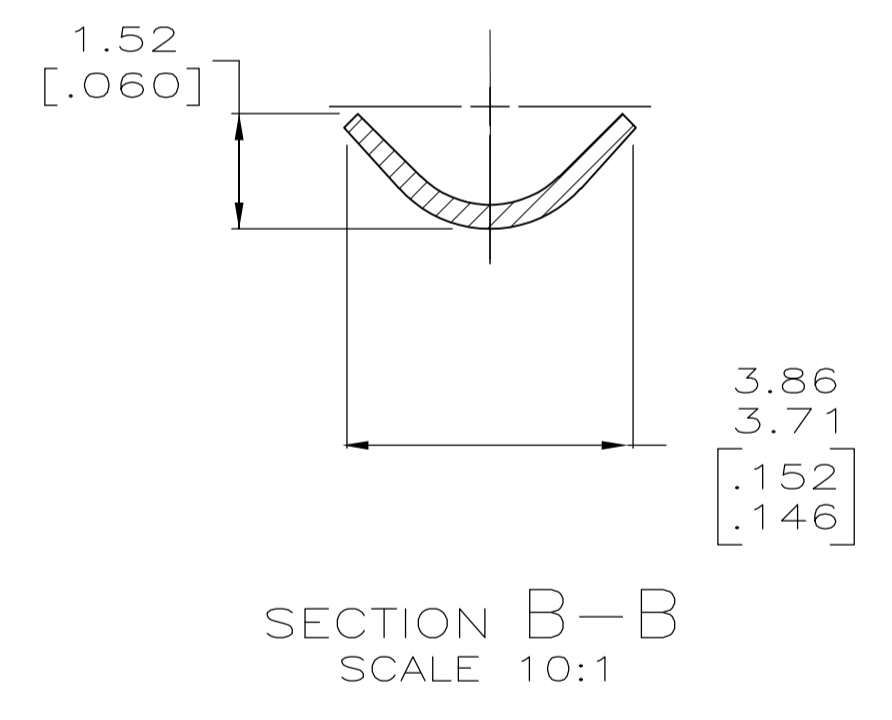
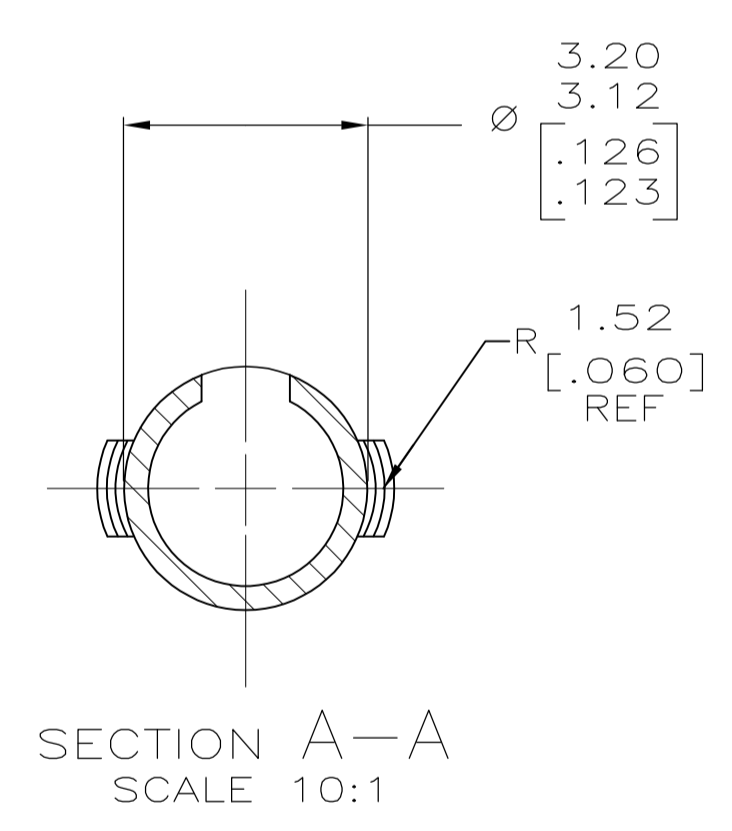
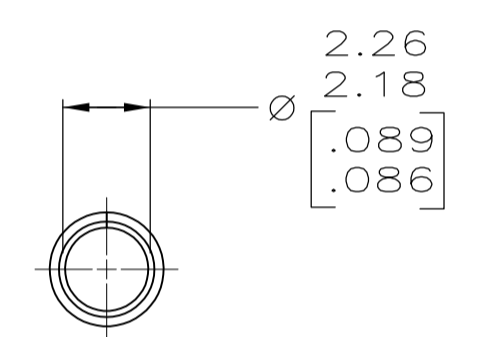
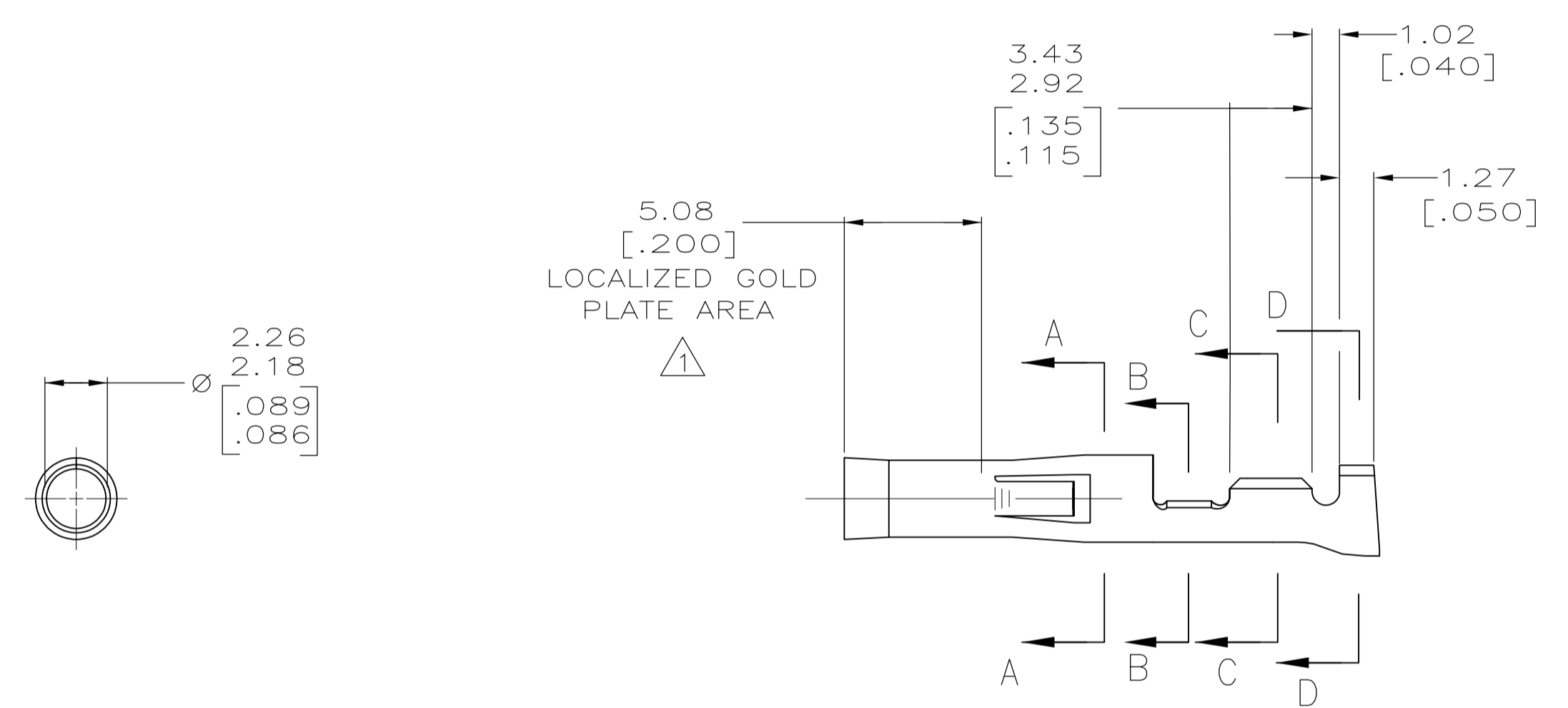
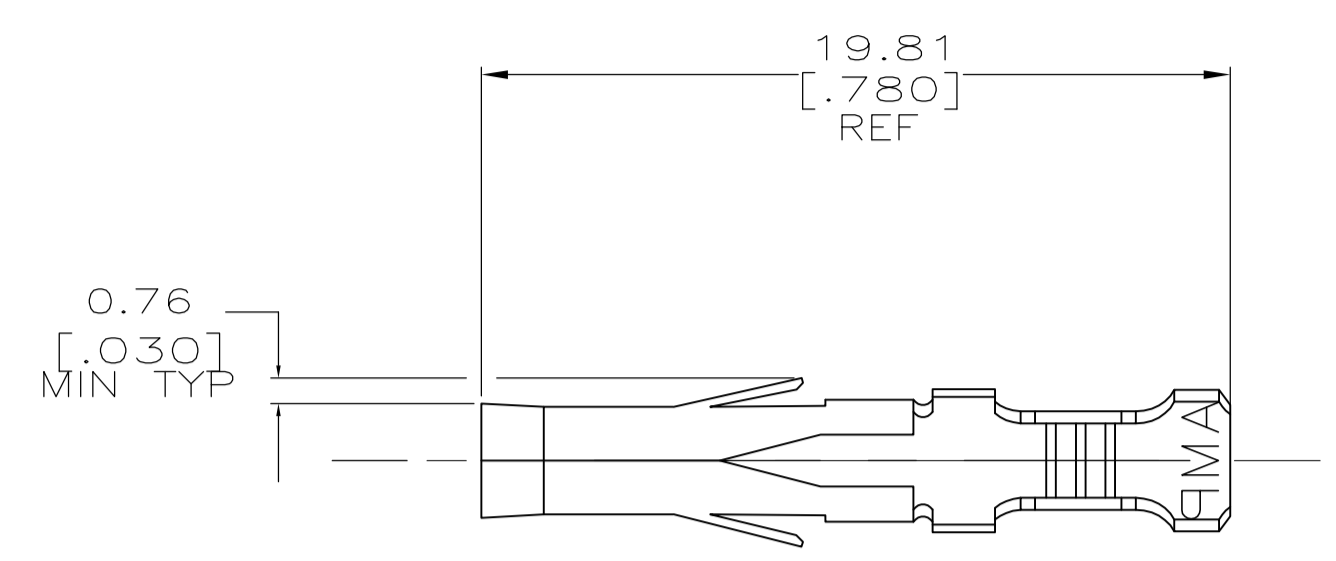


LOC		DIST		REVISIONS			
P	LTR	DESCRIPTION	DATE	DWN	APVD		
G1		REVISED PER ECO-11-005027	11MAR11	RK	HMR		

- ① 0.00127 [.000050] MIN GOLD IN LOCALIZED GOLD PLATE AREA OVER 0.00127 [.000050] MIN NICKEL.
- ② 0.00127 [.000050] NICKEL PLATE ON ENTIRE CONTACT WITH 0.000762 [.000030] GOLD PLATE ON INSIDE OF RECEPTACLE AND GOLD FLASH ON REMAINDER OF CONTACT.
- 3 WIRE RANGE: 0.3 - 0.84mm<sup>2</sup> (24-18 AWG).
- 4 INSULATION RANGE: 2.79 [.110] MAX. DIA.
- 5 DIMENSIONS IN BRACKETS ARE IN INCHES.



METRIC

②	0.25 [.010] BRASS	770146-5
①	0.25 [.010] BRASS	770146-3
PRE-TIN	0.25 [.010] BRASS	770146-1
FINISH	MATERIAL	PART NO

DIMENSIONS:		TOLERANCES UNLESS OTHERWISE SPECIFIED:		APVD		NAME	
mm	[INCHES]	0. PLC	± -	C. CASH	19JUN2007	K. WHITAKER	
		1. PLC	± -	C. CASH <td>19JUN2007 <td colspan="2">TE Connectivity </td></td>	19JUN2007 <td colspan="2">TE Connectivity </td>	TE Connectivity	
		2. PLC	± 0.13 [.005]	C. CASH <td>19JUN2007 <td colspan="2">SOCKET, .093, LOOSE PIECE, COMMERCIAL PIN AND SOCKET</td> </td>	19JUN2007 <td colspan="2">SOCKET, .093, LOOSE PIECE, COMMERCIAL PIN AND SOCKET</td>	SOCKET, .093, LOOSE PIECE, COMMERCIAL PIN AND SOCKET	
		3. PLC	± -	C. CASH <td>19JUN2007 <td colspan="2">-</td> </td>	19JUN2007 <td colspan="2">-</td>	-	
		4. PLC	± -	C. CASH <td>19JUN2007 <td colspan="2">-</td> </td>	19JUN2007 <td colspan="2">-</td>	-	
		ANGLES	± -	C. CASH <td>19JUN2007 <td colspan="2">-</td> </td>	19JUN2007 <td colspan="2">-</td>	-	
MATERIAL	SEE TABLE	FINISH	SEE TABLE	WEIGHT	-	SIZE	CAGE CODE
						A1	00779
						DRAWING NO	770146
						RESTRICTED TO	-
						CUSTOMER DRAWING	SCALE 5:1 SHEET 1 OF 1 REV G1